

# LMUe6000 -YDMC



Labeling example

## Ideal for Automatic Labeling on the Side of a Cylindrical Container

This machine is a labeling machine that applies the label while winding it on the side of the cylindrical container. It is also able to labeling to square bottles by changing the attachment design type applying unit.

### Productivity Improvement

Changing production methods from the applying labels by hands to automatic labeling machine is contributed to productivity improvement.

### Touchscreen

Easy selection with the touchscreen when switching products.



EUI2

### Variety Registration

Settings each type of product can be registered such as label applying position and so on.

#### LABEL SPECIFICATION

Label Width 15mm - 120mm

Basement Paper Width 18mm - 125mm

Label Length 15mm - 200mm\*

Label Roll (O.D.) Maximum  $\phi$  300mm

Label Paper Core (I.D.)  $\phi$  75mm

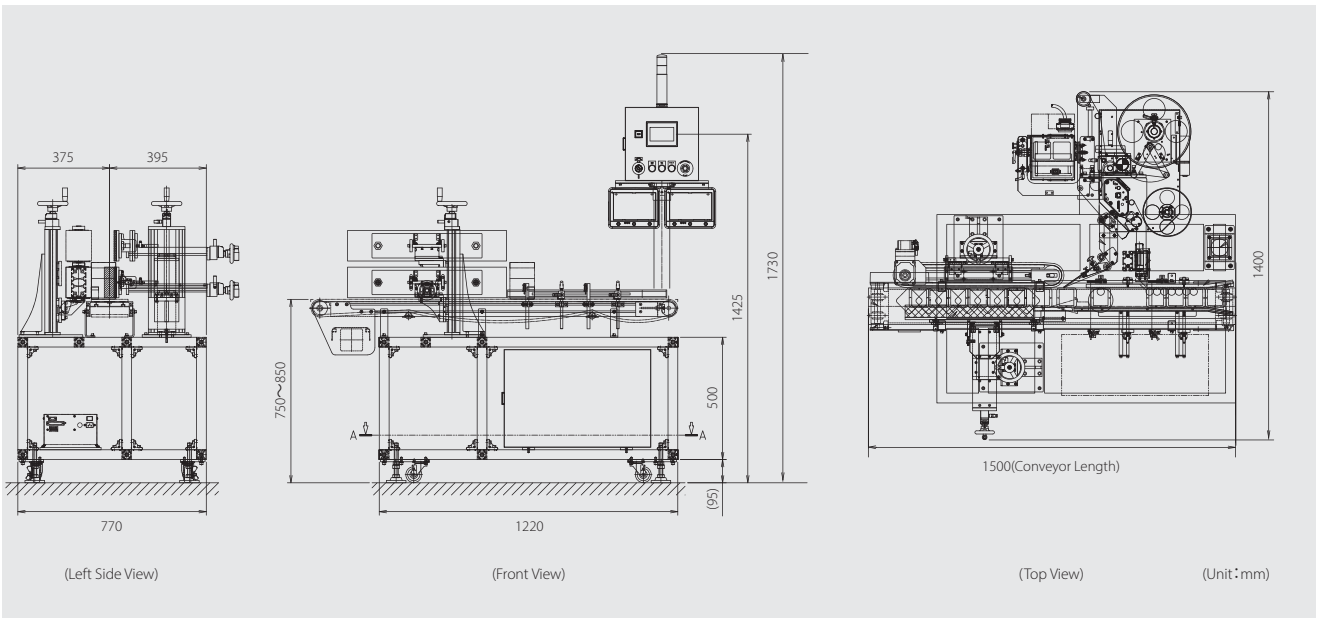
\* The label length more than 200mm is available depending on the usage condition.

## SPECIFICATION

Model	LMUe6000-YDMC	Conveyor Spec.	Belt Width : 150mm Length : 1,500mm
Labeling Speed	2M/min - 25M/min		Speed : 11M/min (Fixed speed)
Variety Registration	200		Product Width : $\phi$ 30mm-100mm
Drive Method	Stepping Motor		Product Height : 50mm-150mm
Label Spec.	Label Width : 15mm-120mm	Applying Height Range	5mm-80mm
	Basement Paper Width : 18mm-125mm	Conveyor Height	750mm-850mm
	Label Length : 15mm-200mm*	System Dimensions	1,500mm(W)-1,400mm(D)-1,730mm(H)
	Label Roll (O.D.) Maximum : $\phi$ 300mm	Operating Environment	Temperature : 5°C-40°C
	Paper Core (I.D.) : $\phi$ 75mm		Humidity : Under 90%RH (no dew condensation)
Power Supply	AC200V, 1.1kVA	Option	Printer, Square bottle applying unit

\*The label length more than 200mm is available depending on the usage condition.

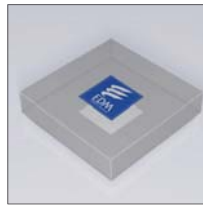
## Dimensional Outline Drawing



## Further We Propose a Labeling System to Meet the Diverse Needs!!



Applying Labels  
to the Both Sides Surface



Applying Labels  
on the Top and Bottom



Applying  
Band Type Labels



Applying Labels  
to the Empty Bags

The contents may change without notice. The specifications in this catalogue may vary depending on operating conditions, installation conditions, environment and so on.

**EDM CORPORATION**

5-2,3-Chome Itabashi, Itabashi-ku, Tokyo, Japan

TEL : +81-3-3964-4852 FAX : +81-3-3962-1277

URL : <https://www.edm-net.co.jp/>

Agency